

Compact, lightweight, and powerful chain hoists.

KITO CHAIN HOIST **CX**

NEW!
CX1t chain hoist!



Compact, lightweight and simple design!

1t capacity hoist newly added to the CX series!

KITO CX series chain hoists are available as three types having capacities of 250kg, 500kg, or 1t.

The use of an integral aluminum body structure, the outstanding portability, and moreover the small hand pull force ensures smooth work.

The wide hook openings also greatly expand the range of applications.



Even the 1t capacity hoist has a compact body that is convenient for carrying!



The sophisticated design also perfectly matches the interiors of garages used for spare-time activities!



Extremely compact chain hoists for hanging, lifting, and lowering!



Can be easily installed even in high places!
The wide hook opening makes hooking easy!



CX series hoists realize powerful lifting for capacities up to 1t!

The convenient CX series can be quickly utilized when you need to use hoists in confined spaces. Offers amazing power from such a compact size. These hoists prove their worth in a variety of applications.



The three CX series types have been designed for ease of use.

NEW!
CX1t chain hoist!
Capacity **1000kg**
Mass (Net weight) **7.3kg**

Capacity **250kg**
Mass (Net weight) **2.4kg**

Capacity **500kg**
Mass (Net weight) **4.5kg**

Hooks have wideopenings.
(both top and bottom hooks)

Bolts do not protrude.

Provided with an overload limiter to prevent lifting of excessive loads.

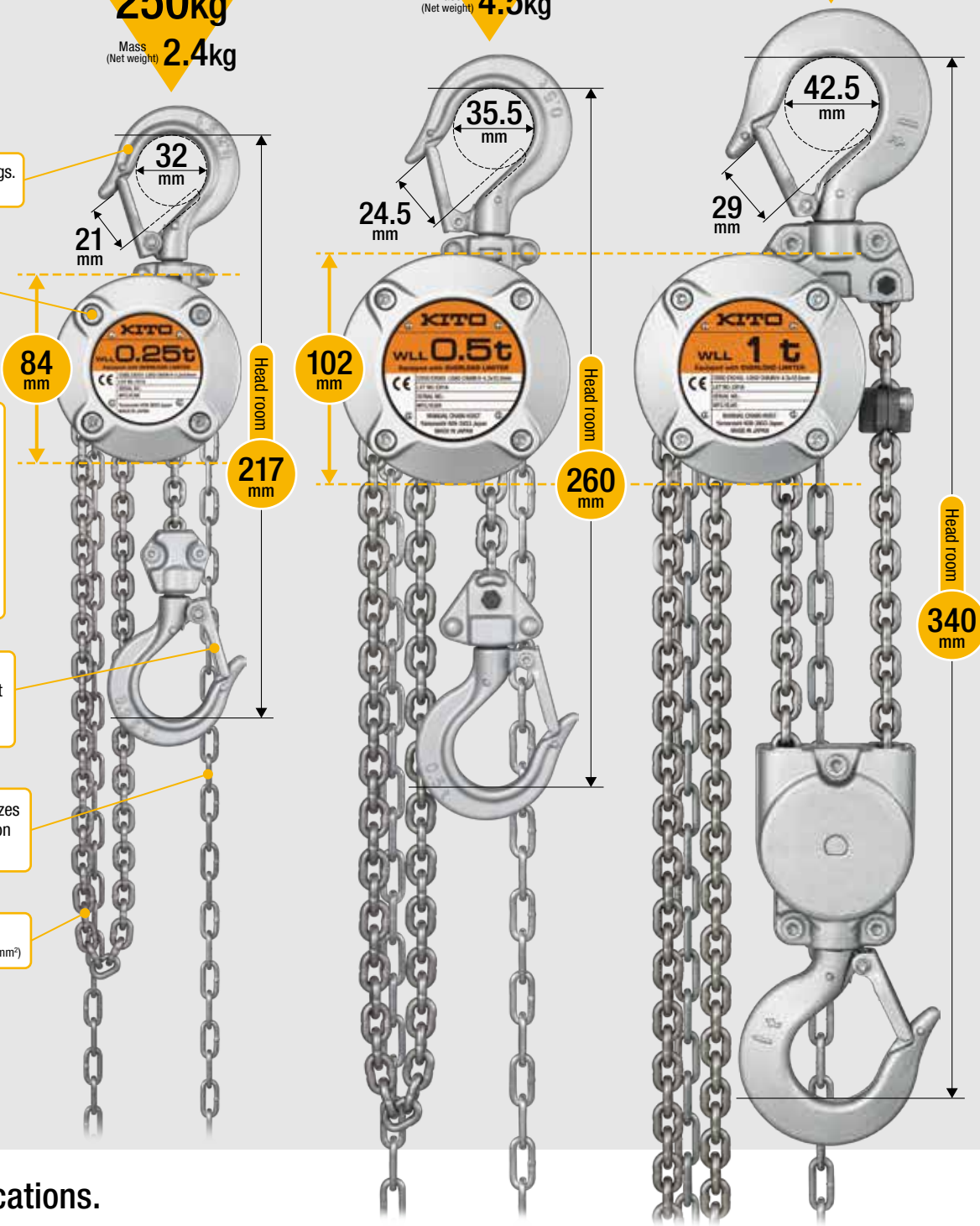
Avoid using the overload limiter habitually.



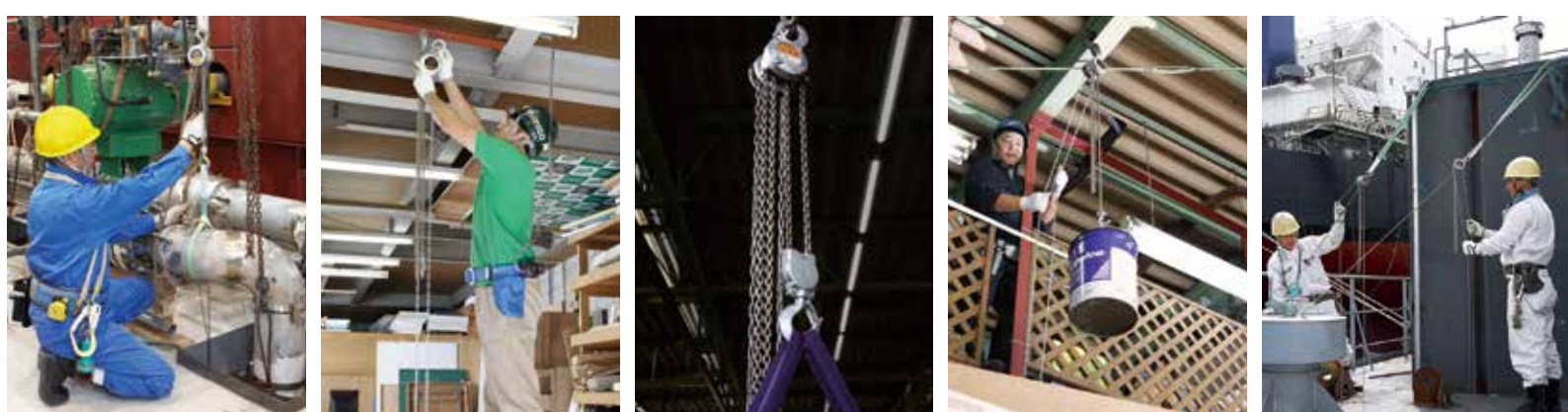
Hook latches have lateral displacement prevention.
(both top and bottom hooks)

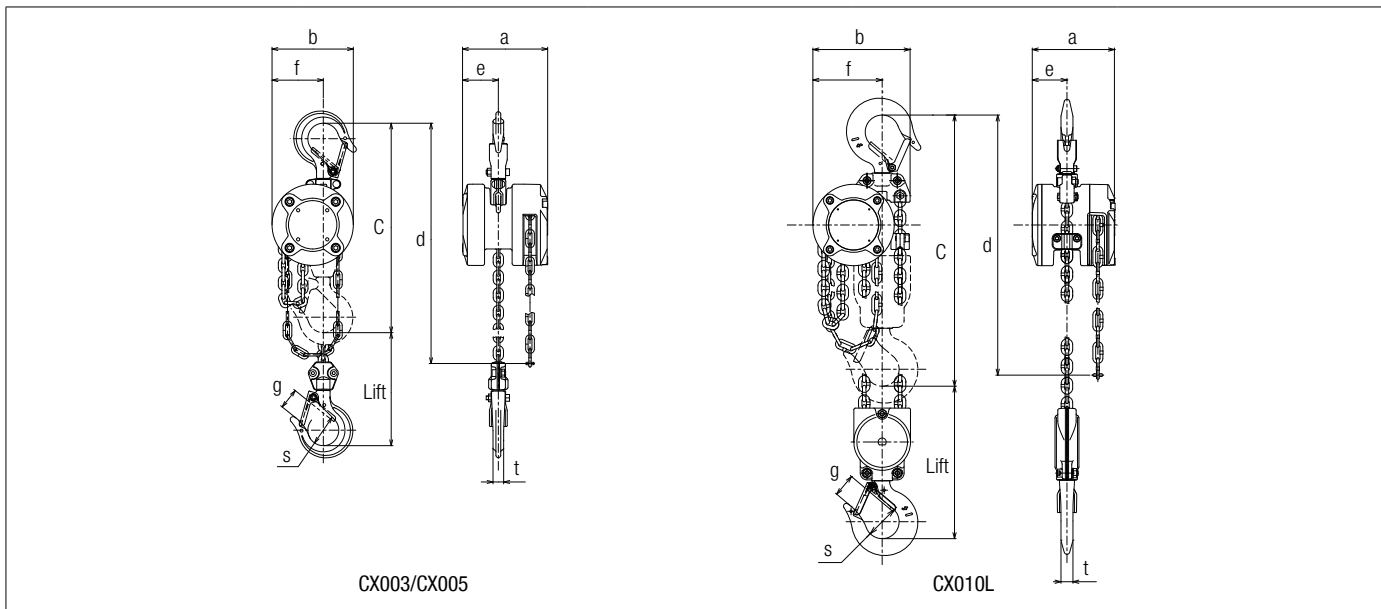
The hand chain utilizes outstanding corrosion resistance chain.

Strong load chain
(Breaking stress of 1,000N/mm²)



spaces or high locations.
ety of situations.





Specifications and Dimensions

Rated load (W.L.L.)	(kg) [t]	250 [0.25]	500 [0.5]	1,000 [1.0]
Product Code		CX003	CX005	CX010L *5
Standard lift	(m)	2.5	2.5	2.5
Standard Length of Hand Chain (Folded)	(m)	2	2.5	2.5
Pull to Lift Full Load *1	(N) [kgf]	147 [15]	187 [19]	193 [19.7]
Chain O'hauled to Lift Load One Meter	(m)	33.8	42.8	85.6
Load Chain Diameter (mm) x Chain Fall Lines	(mm)	3.2 x 1	4.3 x 1	4.3 x 2
Test Load	(kg)	313	625	1,250
Mass (Net Weight) *2	(kg)	2.4	4.5	7.3
Shipping weight	(kg)	2.6	4.8	7.6
Mass (Weight) for Additional One Meter of Lift	(kg/m)	0.4	0.9	1.8
Dimensions (mm)	a	88	103	103
	b	84	102	122
	C *3	217	260	340
	d *4	2,100	2,600	2,610
	e	37	44	44
	f	53	66	87
	g	21	24.5	29
	s	32	35.5	42.5
t	11	12	15	

*1: Average pull to lift the rated load.

*2: The Mass (Net Weight) is for the standard lift.

*3: Head room

*4: Distance between the top hook and the lower end of the hand chain.

*5: Please contact KITO for details of the CX010L sales areas.

Operating environmental conditions

Operating temperature range	Operating humidity range	Materials
-40°C to +60°C	Use the hoist at under 100%RH. This product cannot be used in water.	Standard materials are used. Special materials such as sparkless materials and asbestos are not used. With regard to the environmental load substances, 6 substances defined in the RoHS directives are not contained in this product.

- The functions and performance of the products mentioned in the catalog have been designed based on the related regulations and standards. If they are used for other than their intended purposes such as being integrated into your equipment, we will not take any responsibility for accidents attributable to their unintended usages as well as guarantee their performance and functions. Never remodel our products.
- When you want to use our products for special purposes, consult us in advance.
- When you want to export our products, consult us in advance. There are different standards and regulations from one destination to another.
- It is prohibited to reprint, copy or divert all the information in this catalog (product patents, trademarks, photos, designs, copies, illustrations, etc.) without our consent.
- The specifications in this catalog are partly subject to change without prior notice.
- Product specifications may vary depending on the country. For more details please contact the nearest KITO dealer.

KITO

KITO CORPORATION

SHINJUKU NS Bldg. 9F, 2-4-1 Nishi-Shinjuku, Shinjuku-ku, Tokyo 163-0809 JAPAN

TEL: +81-3-5908-0180 FAX: +81-3-5908-0189

www.kito.co.jp/en KITO Global Website: kito.com

Distributed by:

